

Industra

by TCP

LED Vapor Tight



The TCP Vapor Tight Luminaire is perfect for your wet location low bay needs. Providing ample light at a low energy cost, the vapor tight is ready for the worst weather. With a plastic housing and included mounting hardware, the TCP Vapor Tight is durable and quick to install.

Reasons to choose the LED Vapor Tight from TCP

- Durable plastic housing
- Frosted PC lens for glare control
- Wet location rated
- Long life: 50,000 hours
- Operating temperature: -4° to 122°F
- Wide beam spread

Ideal Applications

- Parking Garages
- Garden Centers
- Hallways
- Car Washes
- Corridors
- Cold Storage
- Stairwells

Specifications

Input Line Voltage.....120-277 VAC; 120-347V (Canada only)
 Input Line Frequency (Hz).....50HZ/60HZ
 Wattage (W).....2FT=24W, 4FT=20W, 4FT=40W, 8FT=65W
 Lumens (L).....2FT=3120L, 4FT=2600L, 4FT=5400L, 8FT= 8775L
 Lumens per Watt (LPW).....>130 LPW
 Rated Life.....50,000 hours
 Color Temperature (CCT).....4000K & 5000K
 Dimming.....0-10V (Standard)
 Operating Temperature.....-20°C (-4°F) to 50°C (122°F)
 CRI.....>80
 Power Factor.....>0.9
 THD.....<20%
 Controls.....Occupancy sensor w/ Daylight harvesting (optional)

Features

- Durable lens and housing
- -20C (-4°F) to 50C (122°F) operating range
- Stainless steel clips allow for easy lens removal

Item Number	
Notes	Type



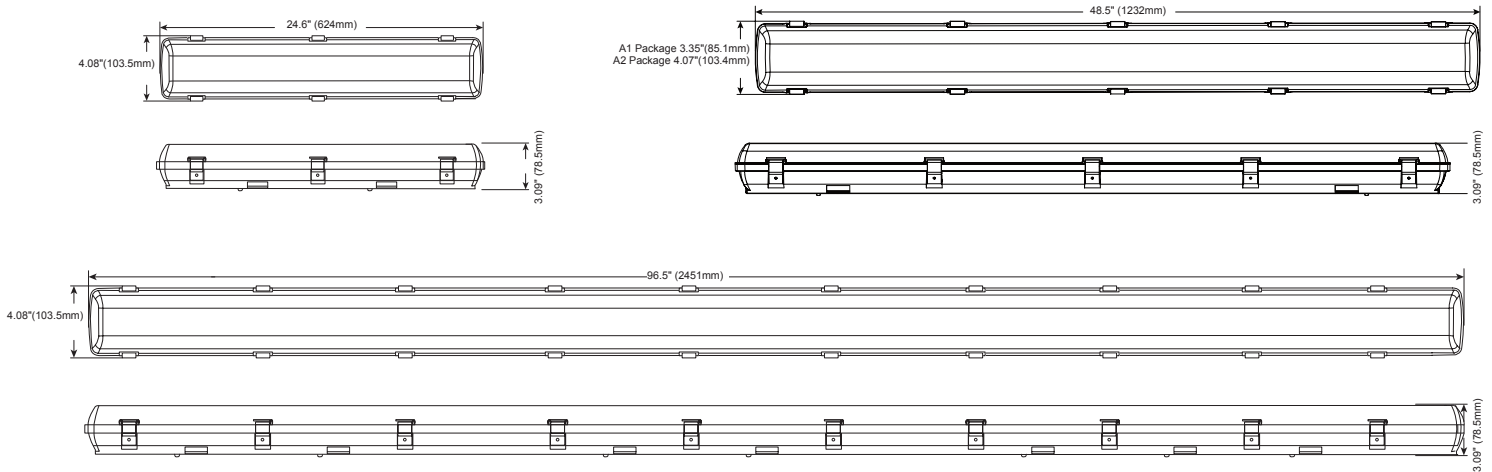
Listings

UL and cUL listed
 RoHS Compliant
 DLC 5.0 Premium
 IP65

Warranty

Five year limited warranty against defects in manufacturing.

Spacing Criterion (0-180): 1.22
 Spacing Criterion (90-270): 1.22



Catalog Ordering Matrix

Example: VTF2UZDA140K

FAMILY	LENS	LENGTH	WATTAGE	VOLTAGE	DIMMING	LUMEN PACKAGE (Power) ^{1,2}	CCT
VT = Vapor Tight	F = Frosted lens	2 = 2 foot	A1 - 24W	U = 120V-277V H = 120-347V	ZD = 0-10V Dimming	A1 - 3100 Lumens (24W)	40K = 4000K 50K = 5000K
VT = Vapor Tight	F = Frosted lens	4 = 4 foot	A1 - 20W A2 - 40W	U = 120V-277V H = 120-347V	ZD = 0-10V Dimming	A1 - 2600 Lumens (20W) A2 - 5400 Lumens (40W)	40K = 4000K 50K = 5000K
VT = Vapor Tight	F = Frosted lens	8 = 8 foot	A1 - 65W	U = 120V-277V H = 120-347V	ZD = 0-10V Dimming	A1 - 8775 Lumens (65W)	40K = 4000K 50K = 5000K

¹ Approximate lumen output. Actual performance may vary based on CCT, options selected and end user application.

² Actual wattage may differ by +/- 10%.

TECHNOLOGY CAST IN A BEAUTIFUL LIGHT

For over 20 years, TCP has been designing, developing and delivering energy-efficient lighting into the market. Thanks to our cutting-edge technology and manufacturing expertise, we have shipped billions of high quality lighting products. With TCP, you can count on a lighting product that is designed to meet the needs of the market - that transforms your surroundings and envelopes you in warmth - lighting that generates beauty with every flip of the switch.

Sales:

Date:

Model:

Project:

Rep:

Catalog Number:

Type:

Notes:



For more information on the quality and care TCP can deliver, call us at **800.324.1496** or visit tcp.com

325 Campus Dr. | Aurora, Ohio 44202 | P: 800.324.1496 | F: 877.487.0516